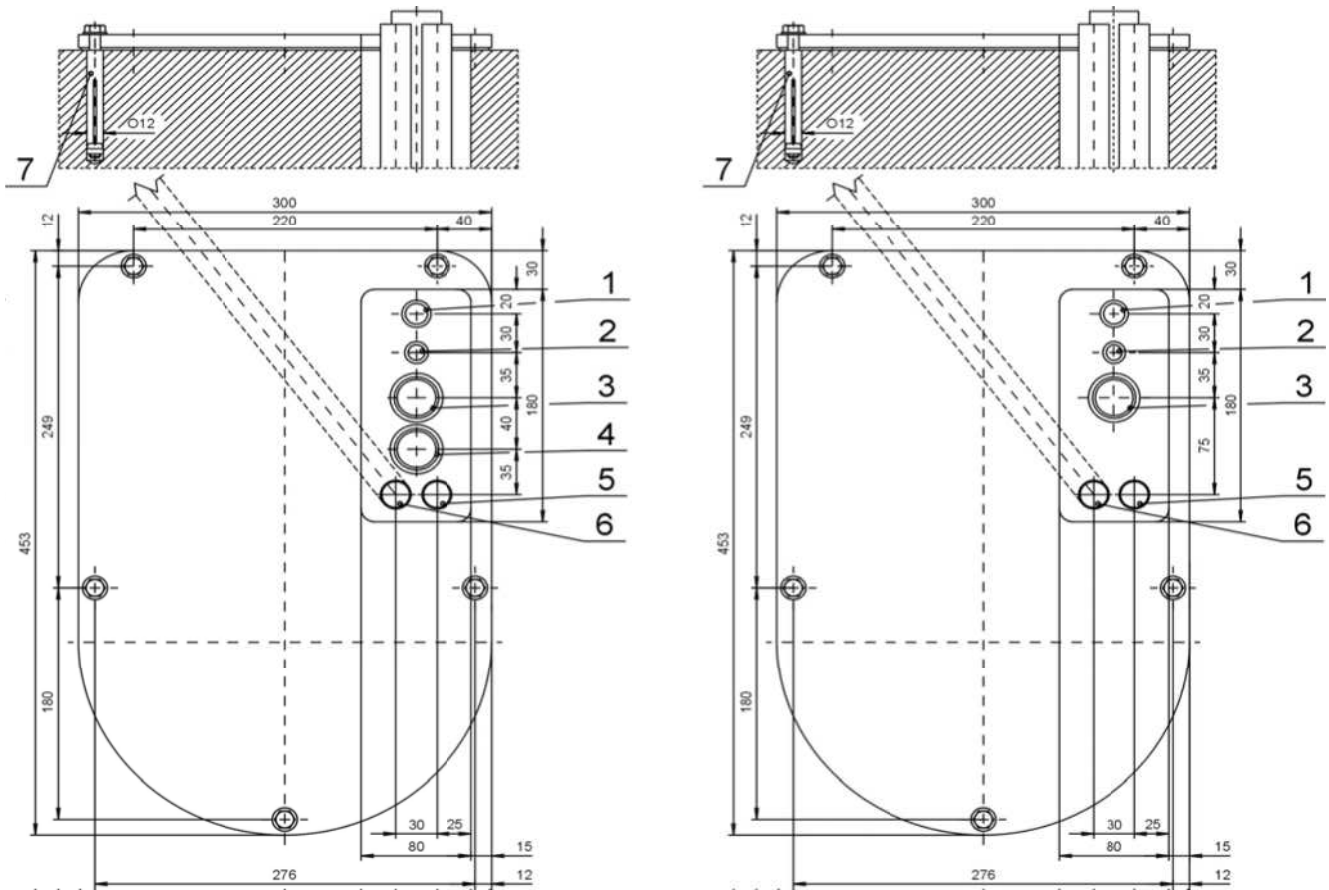


## Installation plan DL 209, DC 309, DE 101



1. WATER SUPPLY – 1/2“ TUBE ENDED WITH G 1/2“ INTERNAL THREAD, 20 mm ABOVE THE FLOOR LEVEL.
2. AIR SUPPLY – 3/8“ TUBE ENDED WITH G 3/8“ EXTERNAL THREAD, 20 mm ABOVE THE FLOOR LEVEL.
3. WATER WASTE -  $\phi$  32 PVC SHAPE PIECE, 30 mm ABOVE THE FLOOR LEVEL.
4. SUCTION -  $\phi$  32 PVC SHAPE PIECE, 30 mm ABOVE THE FLOOR LEVEL.
5. FEED CABLE 3X2.5 mm<sup>2</sup> CU  
CONTROL OF DOOR OPENING, BELL .... 2 X 0.5 mm<sup>2</sup> CU  
CONTROL OF SUCTION 2 X 1 mm<sup>2</sup> CU.
6. FEED CABLE FOR THE CHAIR 3 X 2.5 mm<sup>2</sup> CU.  
CABLE OF CONTROL 2 X 0.25 mm<sup>2</sup> CU.
7. ANCHORING ELEMENT